



General description

The Jomitek Lightning Sensor & Analyzer (LSA) is having a complete PoE (Power over Ethernet) interface, ready to use. Additionally the LSA offers a direct relay output for lightning strikes. This relay output is using some of the wires in the Ethernet connection.

The Power and Interface box offers an extended power supply and relay control for the LSA. Option for reset of alarm relay of LSA.

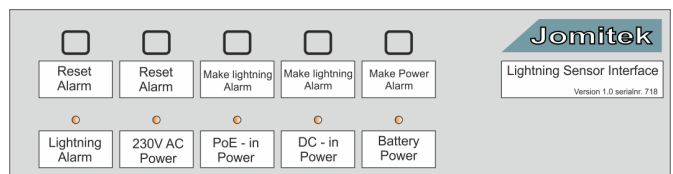
The power options are many as the supply may come from either 230/115VAC, 24-48VDC, PoE or the build-in battery.

The battery is a rechargeable Lithium type and may be exchanged from outside the box after years of service.

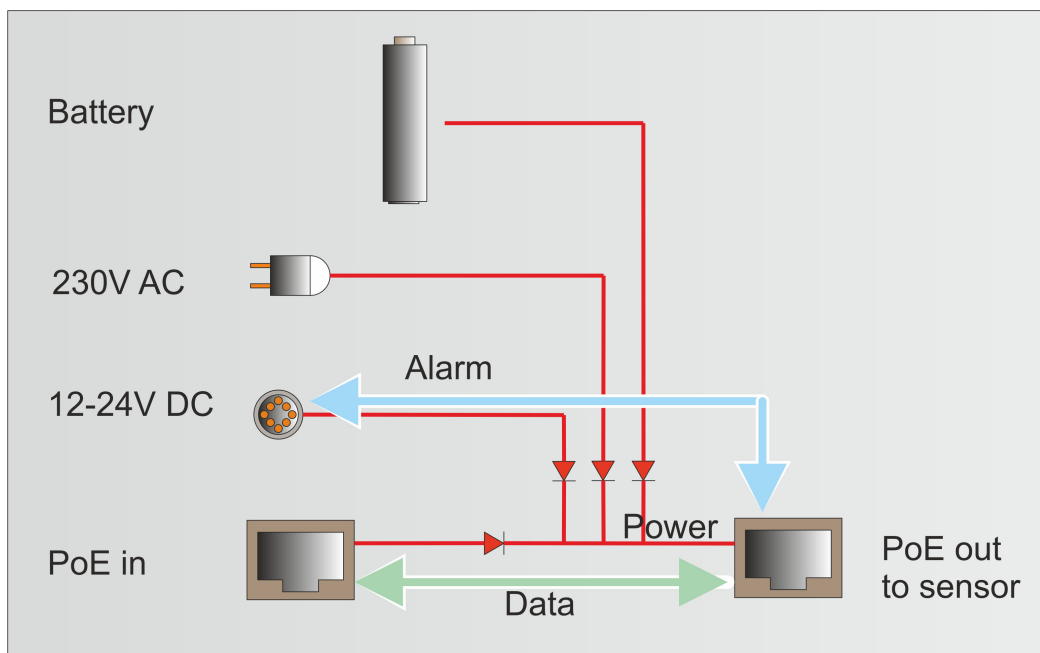
Main product features

- Power supply for Lightning Sensor & Analyzer
- Alarm relay interface
- Alarm LED's and signal simulation
- Status LED's

User options



Alarm and power status is indicated by LED's. The push bottoms are for local alarm reset and for generation of alarms for maintenance test.



Technical specification

Power supply input	
1.	230VAC or 115 VAC factory setting
2.	Ethernet PoE/class 2
3.	12-48VDC
Power supply output	Ethernet PoE/class 2
Battery backup time	30 min typical
Control signal connector	M12, 8 wire
Protection class	IP55
Mounting	DIN rail
Ethernet in/out connections	RJ45 IP67
Relay outputs max. voltage / current	60V/1A

This device fulfils below standards:

EMC directive

- Emission: EN 50081-2:1993
- Immunity: EN 61000-6-2:2005

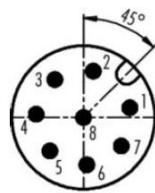
Low Voltage directive

- EN 61010-1:2010

International Protection Rating (IP Code)

- IP55 (dust protected, water jets)

Connector configuration:

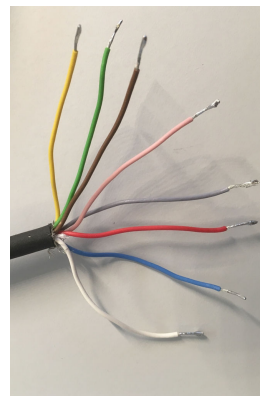


	X	Y
1	2,69	0,57
2	0,57	2,69
3	-1,66	2,20
4	-2,75	0,19
5	-1,94	-1,94
6	0,19	-2,74
7	2,20	-1,65
8	0,00	0,00

- 1 weiß/white
- 2 braun/brown
- 3 grün/green
- 4 gelb/yellow
- 5 grau/grey
- 6 rosa/pink
- 7 blau/blue
- 8 rot/red

Geschirmte Versionen: Schirm auf Gehäuse oder Pin 8
Shielded versions: shield on housing or pin 8

Pin	Description
1	Power Failure Relay pin
2	Power Failure Relay pin
3	Alarm Reset (Minus)
4	Alarm Reset
5	Lightning Alarm Relay pin
6	Lightning Alarm Relay pin
7	DC supply in +/-
8	DC supply in +/-
Shield	Earth



Electrical interface:

All inputs and outputs are isolated by optocouplers.

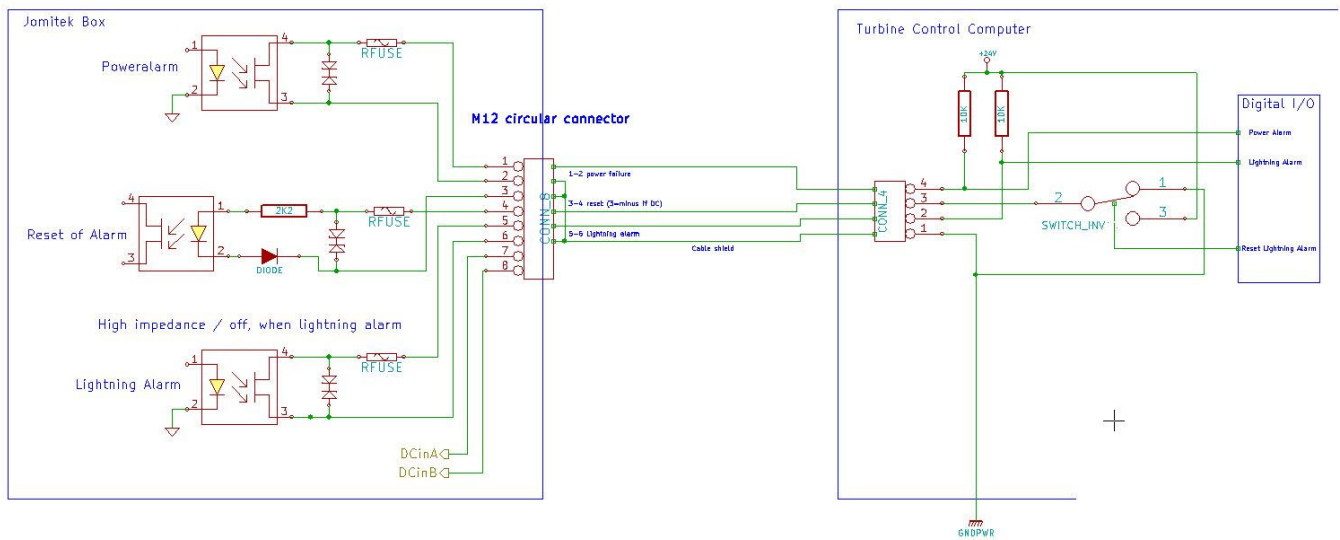
Digital inputs are:

- Reset alarm

Digital outputs are:

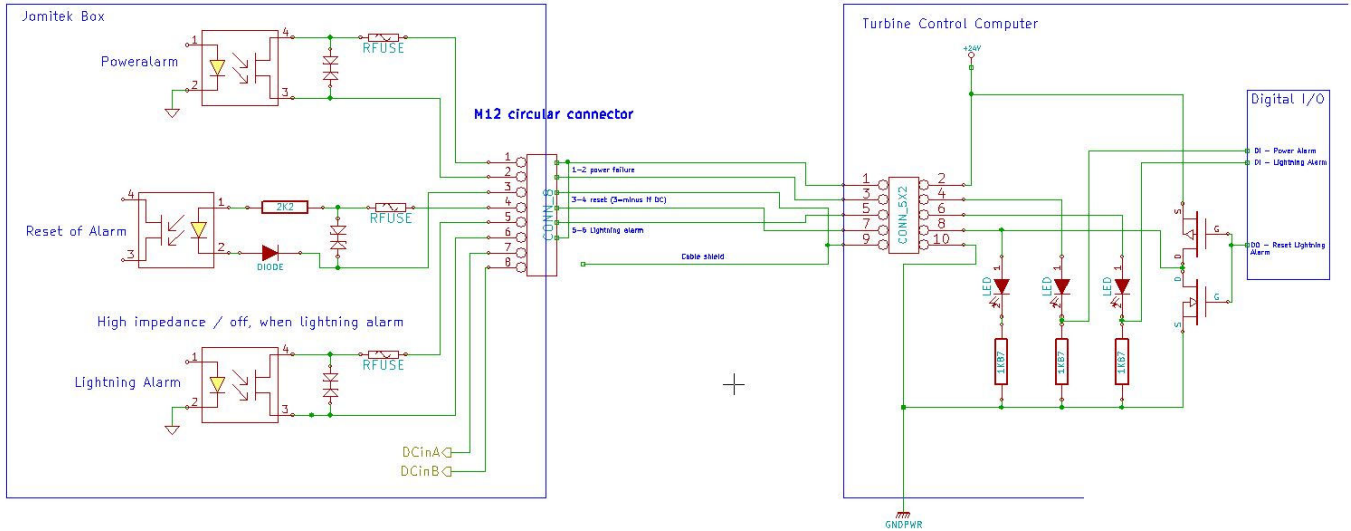
- Lightning alarm
- Power alarm

Application example 1:



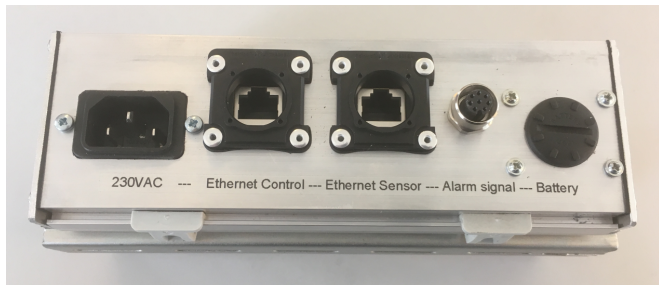
Please be aware of using a shielded and/or twisted pair cable for the interface.

Application example 2:



Please be aware of using a shielded and/or twisted pair cable for the interface.

Mechanical design:



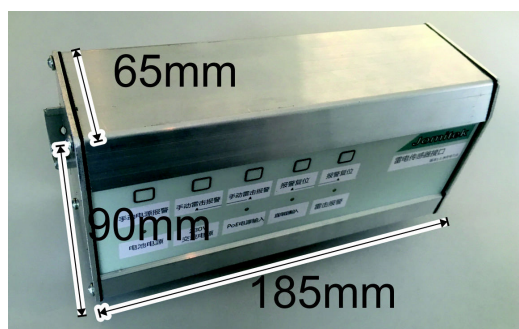
Connectors at bottom



DIN rail mounting



Text insert



Measures



IP67/IP20 ethernet cable
5 meter standard length or length on request



Interface cable
210cm length

Ordering options

- Power and Interface box for LSA
- Customized text on request
- Ethernet cable IP67/IP20 or IP67/IP67
- Interface cable